

LLB3A-63 Series Miniature Circuit Breaker

Application

LLB3A-63 is applicable to a line of AC 50Hz/60Hz, 230V in single pole, 400V in double, three, four poles for protecting overload and short circuit, and rated current up to 63A. It can also be used for infrequent line conversion under the normal condition. The breaker is applicable to lighting distribution system in industrial enterprise, commercially district, high-rise building and dwelling house. It conforms with the standards of IEC60898.

Main technical parameter

Type	LLB3A-63			
Pole	1P		2P,3P,4P	
Rated current (A)	6,10,16,20,25,32,40,50,63			
Rated voltage (V)	230		400	
Ambient temperature	-5°C ~ +40°C			
Type of instantaneous release	C	D	C	D
Rated short circuit breaking capacity I _{cn} (KA)	132A:6 50-63A:4	4	132A:6 50-63A:4	4

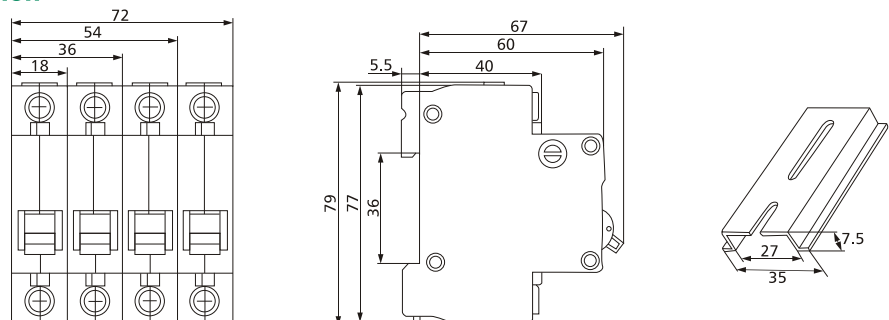
Applicable conducting wire

Rated current (A)	Normal cross section of wire mm ²
1-6A	1
10A	1.5
16,20A	2.5
25A	4
32A	6
40,50A	10
63A	16

The over-current protection property

Ambient Temperature	Initial Status	Test Current	Expected Result	Expected Result	Note
30 ± 2°C	Cold position	1.13I _n	t ≥ 1h	Non-release	-
	Carried out immediately after previous test	1.45I _n	t < 1h	Release	-
	Cold position	2.55I _n	1s < t < 60s (I _n ≤ 32A)	Release	Current smoothly rises to
	Cold position	2.55I _n	1s < t < 120s (I _n > 32A)	Release	specified value with 5s
-5°C ~ +40°C	Cold position	3I _n	t ≥ 0.1s	Non-release	Type B
	Cold position	5I _n	t < 0.1s	Release	Type B
	Cold position	5I _n	t ≥ 0.1s	Non-release	Type C
	Cold position	10I _n	t < 0.1s	Release	Type C
	Cold position	10I _n	t ≥ 0.1s	Non-release	Type D
	Cold position	20I _n	T < 0.1s	Release	Type D

Dimension



LLB3A-63 1P



LLB3A-63 2P



LLB3A-63 3P



LLB3A-63 4P